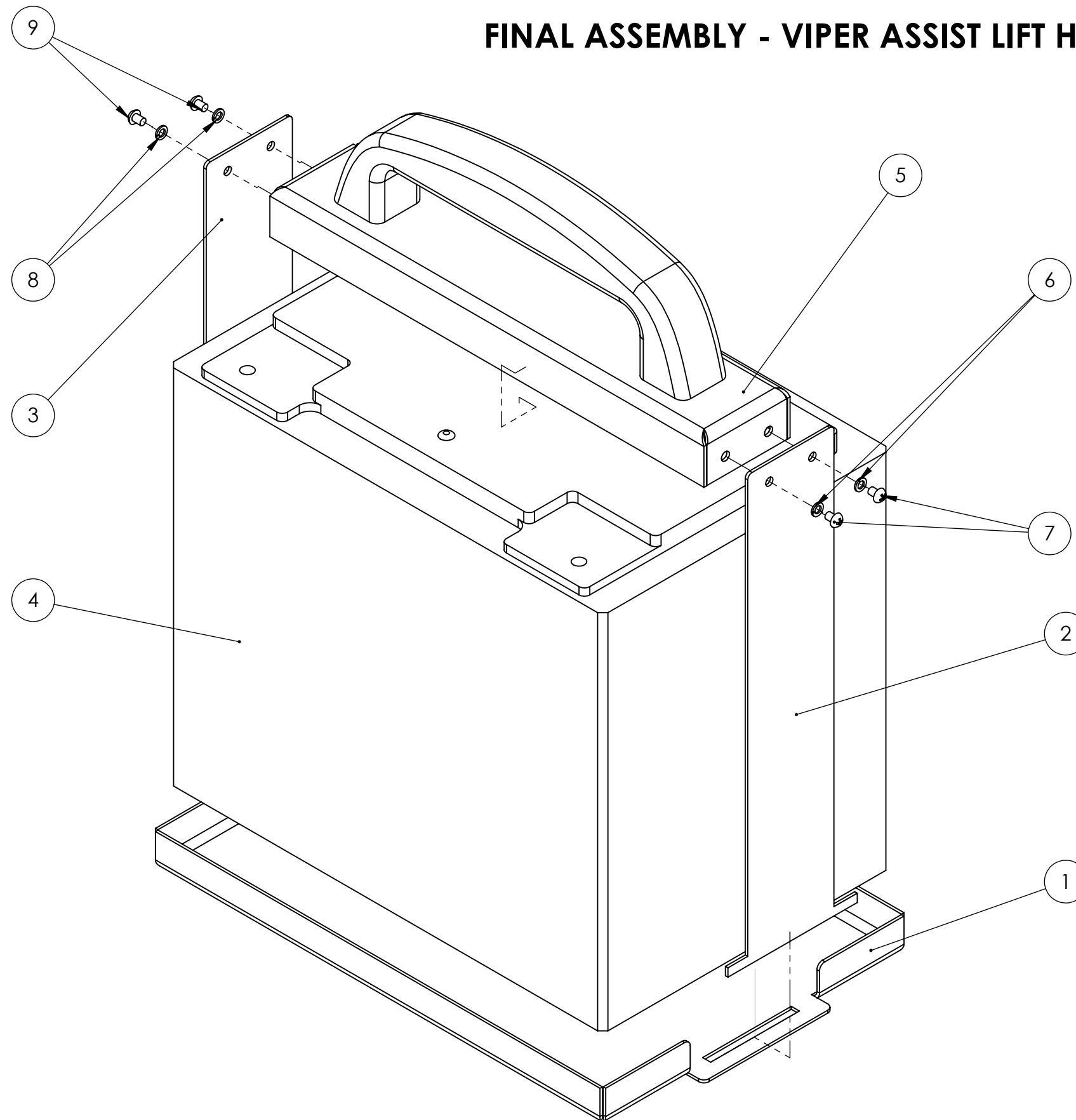


## FINAL ASSEMBLY - VIPER ASSIST LIFT HANDLE KIT



### ASSEMBLY INSTRUCTIONS

- STEP A - SLIP ITEMS 2 AND 3 INTO SLOTS IN ITEM 1 AND PULL UPWARD UNTIL TABS TOUCH BOTTOM OF ITEM 1.  
STEP B - PLACE ITEM 1 WITH ITEM 2 AND 3 INSTALLED ON FLAT SURFACE.  
STEP C - SET ITEM 4 INTO ITEM 1.  
STEP D - MOVE ITEM 5 ONTO TOP OF ITEM 4 AND ALIGN HOLES TO ITEM 2 AND 3.  
STEP E - INSTALL ITEMS 6 AND 7 INTO ITEM 5 AND TIGHTEN.  
STEP F - INSTALL ITEMS 8 AND 9 INTO ITEM 5 AND TIGHTEN.

### NOTES:

1. ITEMS 2 AND 3 ARE "T" BRACKETS.
2. ITEM 1 IS THE BATTERY MOUNTING BASE PLATE.
3. ITEM 4 IS VENTURE VOLT BATTERY.
4. ITEM 5 IS THE HANDLE ASSEMBLY.
5. ITEMS 7 AND 9 ARE 6-32 PAN HD SCREWS.
6. ITEMS 6 AND 8 ARE #6 SPLIT LOCK WASHERS